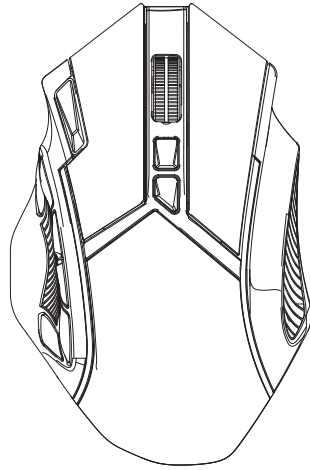


12键宏定义游戏鼠标

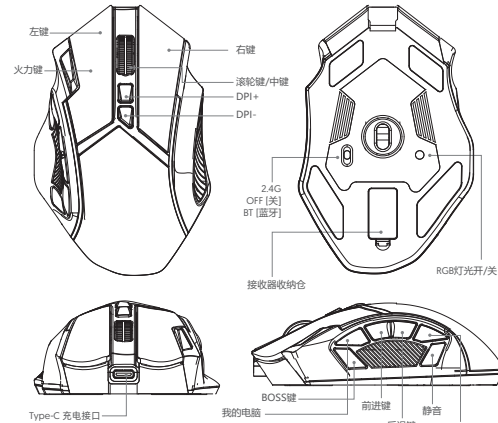
2.4G+有线+蓝牙三模切换



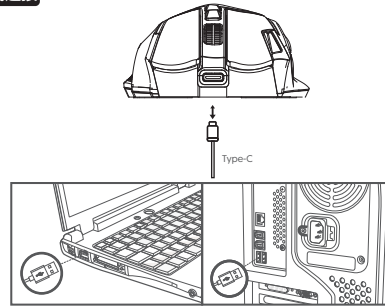
使用说明书

产品功能

1. DPI: 1200-3600-4800-6400-16000-24000 DPI [默认1200dpi]
2. 回报率: 125-250-500-1000Hz [默认125Hz]
3. 充电电压: 5V
4. 充电电流: [最大] 200mA
5. 充电口: Type-C
6. 电池容量: 500mAh
7. 按键寿命: 2000万次
8. 连接方式: 有线+2.4G+蓝牙
9. 灯光模式: 7种灯光模式+关灯
10. 重量: 112g ± 5g
11. 尺寸: 136x83x42mm
12. 系统支持: Win XP/Win Vist/Win 7/Win 8/Win 10/Mac Os /IOS /Android [蓝牙5.1只支持Win 8及以上系统]

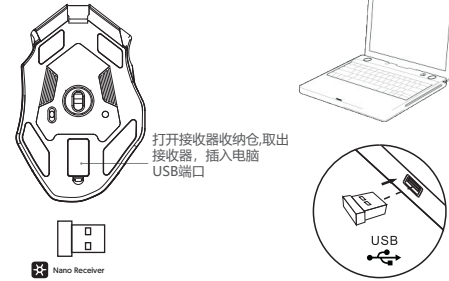


有线连接



将充电线Type-C接口插入鼠标，USB接口连接到您的电脑。

2.4G连接



打开接收器收纳仓，取出接收器，插入电脑USB端口

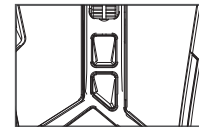
蓝牙连接



1. 将鼠标底部开关拨至“BT”处
2. 同时按住“左/中/右键”3秒后指示灯出现蓝色快闪，表示鼠标处于对码状态。
3. 搜索和选择“W605”进行连接，并开始蓝牙配对，成功后指示灯熄灭，可正常使用。

注意：* Windows 7及以下的系统版本不支持 BT 5.0

DPI切换



1200-3600-4800-6400-16000-24000 DPI 六档可调，可根据自己的习惯选择自己舒适的档位

宏操作

1. 自定义编程软件请登陆官方网站下载W605驱动 [cn.mkeshpk.com/SXS-W605]
2. 驱动下载安装后，通过驱动自定义设置，可在游戏中一键施展
3. 主键区12个按键才可宏定义
4. 驱动只能在Win系统编辑，录制后功能可在Mac使用

保修卡注意事项

尊敬的客户：

整机自购买日期开始一年内，针对产品包装内所有的硬件产品，若出现质量问题，将为此保修卡用户提供免费保修服务，其余保修条例按国家《微型计算机商品修理更换退货责任规定》。同时此服务仅限于出现质量问题的产品，而不包括赔偿购买者利益损失及其他意外情况造成的任何直接或间接损失。

属于下列情况之一的产品，不实行三包：

1. 无有效三包凭证及有效发票的（能够证明该产品在三包有效期内的除外）或超过三包有效期的或擅自涂改三包凭证的。
2. 三包凭证上的产品型号和编号与产品实物不相符合的。
3. 产品上的型号、序列号或生产日期代码已被更改、删除或难以辨认。
4. 缺陷是超出预期用途的过度使用造成的，例如在商业环境中不停地使用。
5. 未按产品使用说明的要求使用、维护、保管而造成损坏的。
6. 在使用过程中，使用盗版软件或计算机病毒造成的损坏。
7. 未经授权维修人员对产品进行修理或改动的。
8. 因不可抗力造成损坏的。
9. 产品在使用过程中，因意外、信号干扰或其他影响因素造成的无线连接丢失而不能正常工作。
10. 正常磨损缺陷，或自然损耗件。
11. 产品因未在最初设计、制造或批准使用的国家/地区使用而无法正常工作，进口产品可能会出现这种情况。

保修办法：

- (1) 7天内出现质量问题，根据国家“三包”规定于产品外观与包装完整的情况下将硬件退还给购买地点，凭购买的有效凭证，退回您所支付的硬件产品货款。
- (2) 60天内出现产品质量问题，您可以到购买地点更换硬件产品，或者到指定的维修网点保修，更换之后的硬件质保期为保持期剩余的天数。
- (3) 1年内出现产品质量问题，您可以到指定的维修网点保修。

产品质保卡

请填写下列信息，并加盖销售单位公章

用户档案：_____年____月____日

用户名称			
通讯地址			
联系电话	邮 编		
购买地址			
购买价格	销售单号		
经销商签名	用户签名		

如需下载驱动，请联系经销商索取！

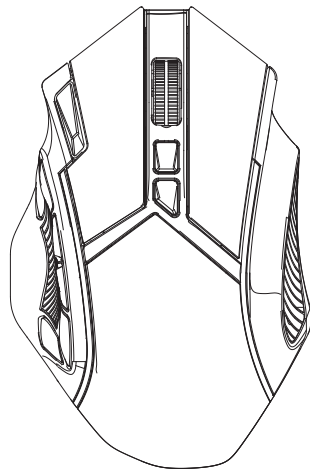
本卡内容不得擅自涂改并须保存产品包装，以维护您的合法权益。



Made in China

12 Keys Macro Programmable Mouse

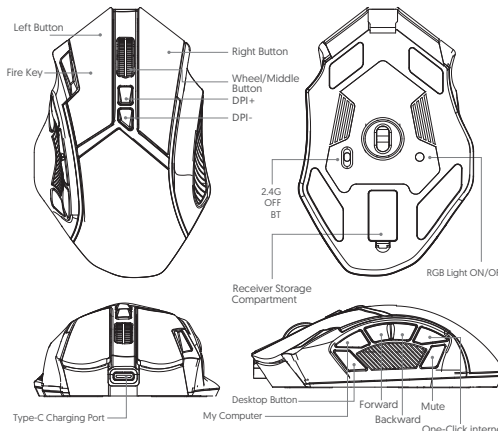
2.4G+Wired+BT Switch



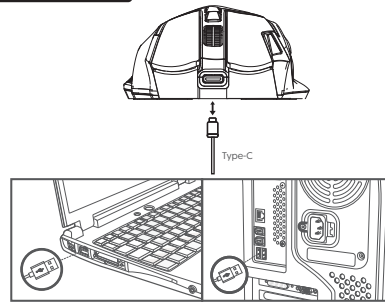
Using Manual

Features

1. DPI: 1200-3600-4800-6400-16000-24000 DPI [Default 1200dpi]
2. Report Rate: 125-250-500-1000Hz [Default 125Hz]
3. Charging Voltage: 5V
4. Charging Current: [Maximum] 200mA
5. Charging Port: Type-C
6. Battery Capacity : 500mAh
7. Button life: 20 Million Times
8. Connection Method: Wired+2.4G+BT5.0
9. Lights Mode: 7 Light Modes + Light Off
10. Weight: 112g ± 5g
11. Size: 136x83x42mm
12. System Support: Win XP/Win Vist/Win 7/Win 8/Win 10/Mac Os /IOS /Android [BT5.1 Only supports Win 8 and above systems]

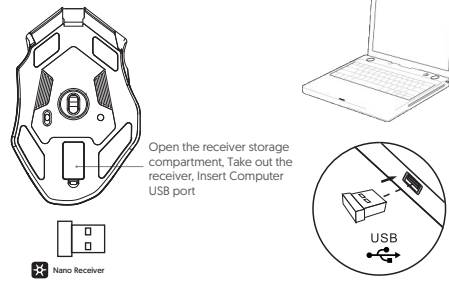


Wired Connection



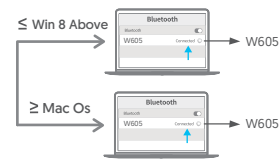
Plug the "Type-C" port of the charging cable into the mouse. And the USB port to your computer

2.4G Connection



Open the receiver storage compartment, Take out the receiver, Insert Computer USB port

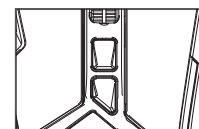
BT5.0 Connection



1. Turn the bottom switch button to "BT" mode
2. Press and hold "Left/Middle/Right Buttons" at the same time for "3 seconds" and after the blue indicator light flashes then it's ready to pair
3. Search and select "W605" device to start Bluetooth pairing, after paired successful the indicator light off and you could using your mouse

Note: * Windows 7 and below do not support BT 5.0

DPI Switch



1200-3600-4800-6400-16000-24000 DPI Six-Level Speed Adjustable. You can choose your comfortable gear according to your own habits

Macro Operations

1. Please visit the official website to download W605 the custom programming software [www.mkeshpk.com/download/SXS-W605]
2. After downloaded and installed the driver, you can make customizable settings and one click deploying in the game.
3. Macro definable only for 7 keys in the main key area
4. Driver can only be edited in WIN system, after recording function can be used in Mac

Warranty Card Notes

Dear Customer:

Within one year from the purchase date of the whole machine, for all hardware products in the product packaging, if there is a quality problem, the Users who hold this warranty card are provided with free warranty service, and the rest of the warranty regulations are in accordance with the national "Microcomputer Commodity Repair and Replacement" Return Liability Regulations. At the same time, this service is limited to products with quality problems, and does not include compensation for the interests of buyers loss and any direct or indirect damages caused by other contingencies.

Products that fall under one of the following circumstances are not subject to the Three Guarantees:

1. There is no valid three-guarantee certificate and valid invoice (except those that can prove that the product is within the validity period of the three-guarantee) or more than three-guarantee Expiry date or unauthorized alteration of the Three Guarantees certificate.
2. The product model and serial number on the three-guarantee certificate do not match the actual product.
3. The model number, serial number or date of manufacture code on the product has been altered, deleted or illegible.
4. Defects are caused by excessive use beyond the intended use, such as nonstop use in a commercial environment.
5. Damage caused by failure to use, maintain and store the product in accordance with the requirements of the product instruction manual.
6. Damage caused by using pirated software or computer viruses during use.
7. Unauthorized maintenance service points or personnel repair or modify the product.
8. Damage caused by force majeure.
9. During the use of the product, the wireless connection is lost due to accidents, signal interference or other influencing factors. normal work.
10. Normal wear defects, or natural wear parts.
11. Products that do not work properly because they are not used in the country where they were originally designed, manufactured or approved for use, imported products This may happen.

Warranty Method:

- [1] If there is a quality problem within 7 days, according to the national "Three Guarantees" regulations, the hardware will be replaced when the product appearance and packaging are complete. Return to the place of purchase, and return the amount of hardware products you paid for with the valid proof of purchase.
- [2] If there is a product quality problem within 60 days, you can go to the place of purchase to replace the hardware product, or go to the designated maintenance Outlet warranty, the hardware warranty after replacement is the remaining days of the retention period.
- [3] If there is a product quality problem within 1 year, you can go to the designated maintenance outlet for warranty.

Product Warranty Card

Please fill in the following information And stamped with the official seal of the sales unit

User Profile: _____ Year _____ Month _____ Day

User Name			
Mailing Address			
Phone	Post Code		
Purchase Address			
Purchase Price	Sales order number		
Dealer's Signature	User Signature		

* To download the driver, please contact the dealer for authorization



The contents of this card shall not be altered without authorization, and please save the product packaging box to safeguard your legal rights

Made in China